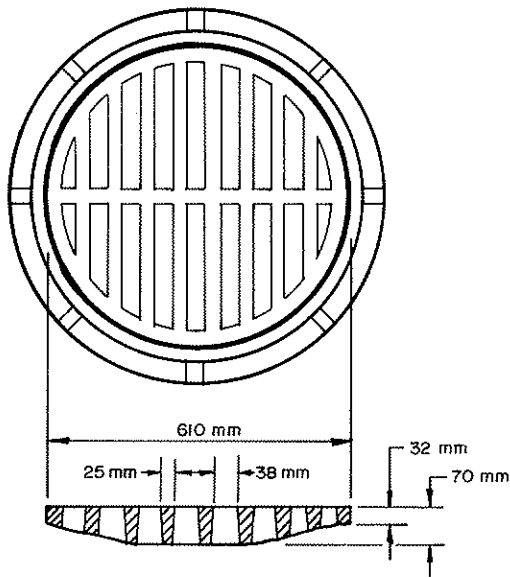
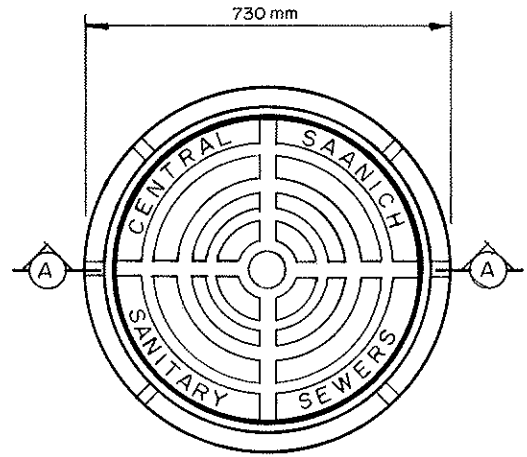
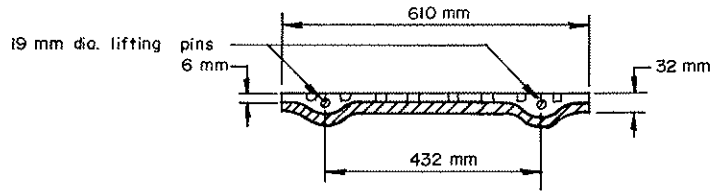




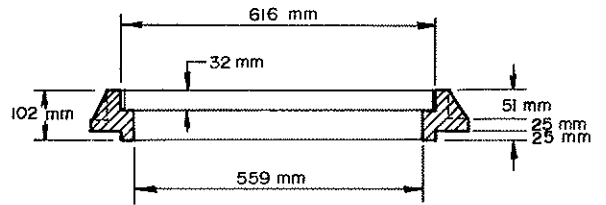
**STORM DRAIN LID**  
(same dimensions as sewer lid)



**GRADED STORM DRAIN LID**



**SECTION A-A through lid**



**SECTION A-A through frame**



**MUNICIPALITY OF CENTRAL SAANICH**

TITLE:  
**100mm MANHOLE COVER & FRAME**

STD.DWG.No.  
**307**

Approved;

Date; JULY 1986

Scale; N.T.S.

Rev.