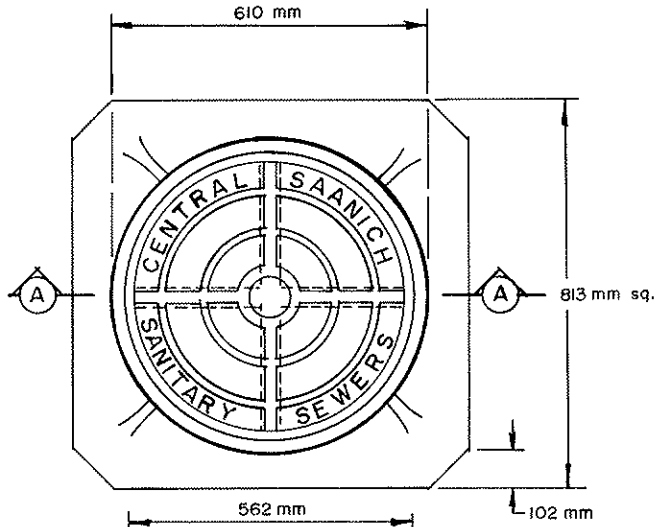
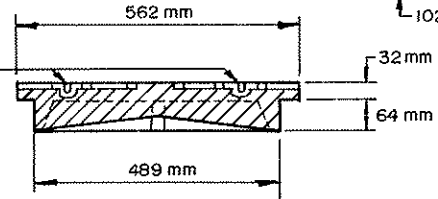


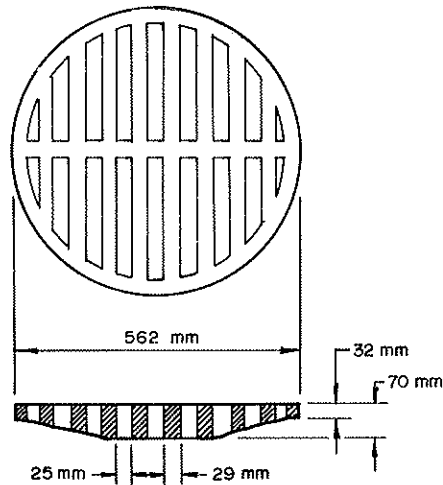
STORM DRAIN LID



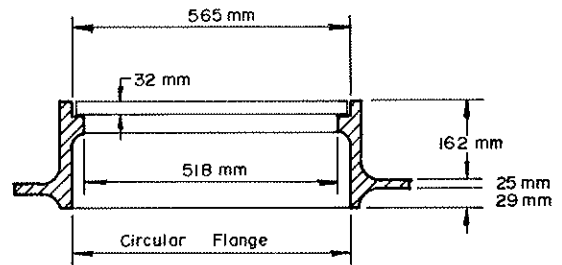
19 mm x 25mm lifting pins
with 25mm clearance
for lifting hook.



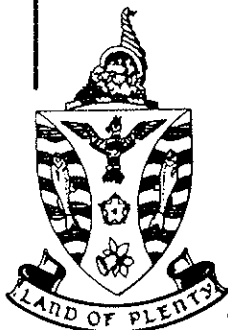
SECTION A-A through lid



GRATED STORM DRAIN LID



SECTION A-A through frame



MUNICIPALITY OF CENTRAL SAANICH

TITLE:		STD.DWG.No.
200mm MANHOLE COVER & FRAME		308
Approved;	Date; JULY 1986	Scale; N.T.S.
		Rev.