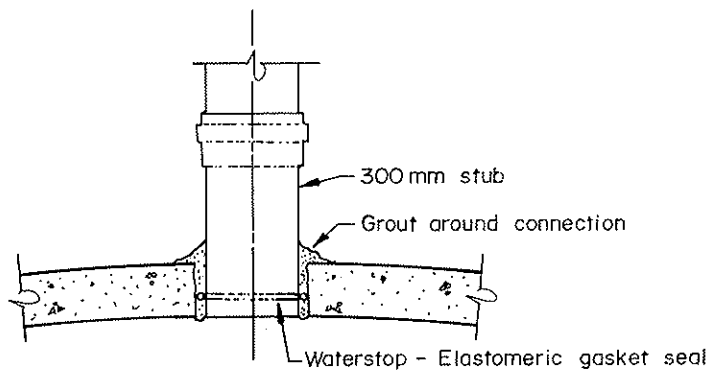


SECTION through concrete trunk



DETAIL OF LATERAL CONNECTION to concrete trunk



**MUNICIPALITY OF CENTRAL SAANICH**

TITLE:		STD.DWG.No.
<b>CONNECTION TO A CONCRETE TRUNK</b>		<b>310</b>
Approved;	Date; JULY 1986	Scale; N.T.S.
		Rev.