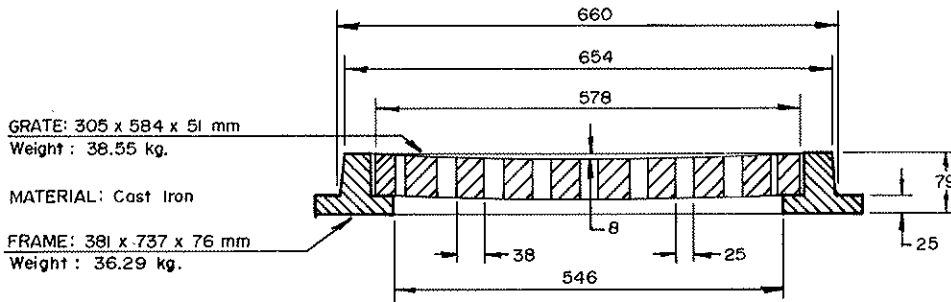
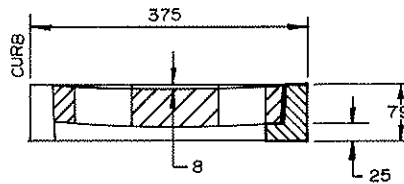


PLAN



SECTION B-B



SECTION A-A

NOTES:

1. All dimensions are in millimeters.
2. Grate and frame for use in conjunction with curbs and gutters.
3. For catchbasin details see std. dwg. no.s 311 and 312.
4. Grate and frame to be Victoria Foundries Ltd. Model 20-46 or equivalent.



MUNICIPALITY OF CENTRAL SAANICH

TITLE:

CATCHBASIN GRATE & FRAME

STD.DWG.No.

313

Approved;

Date; JULY 1986

Scale; N.T.S.

Rev.