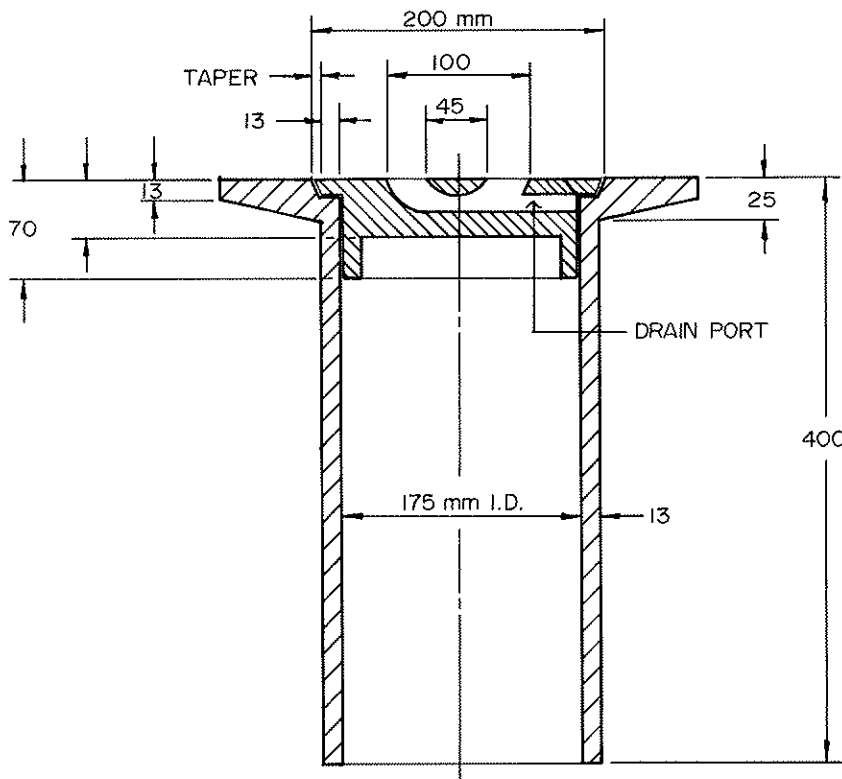


PLAN



SECTION



**MUNICIPALITY OF CENTRAL SAANICH**

TITLE:

**CAST IRON WATER VALVE BOX**

STD.DWG.No.

**405**

Approved;

Date; JULY 1986

Scale; N.T.S.

Rev.