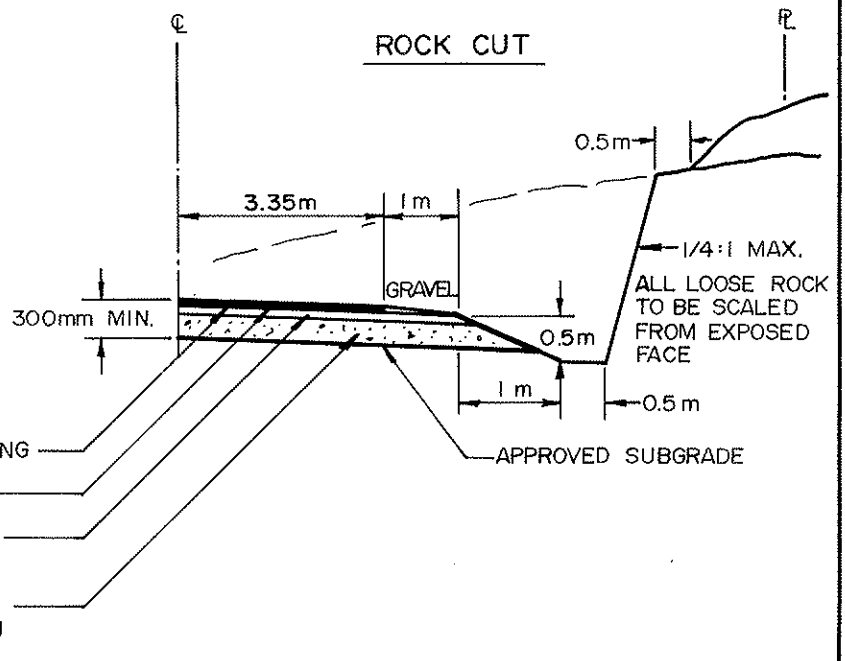
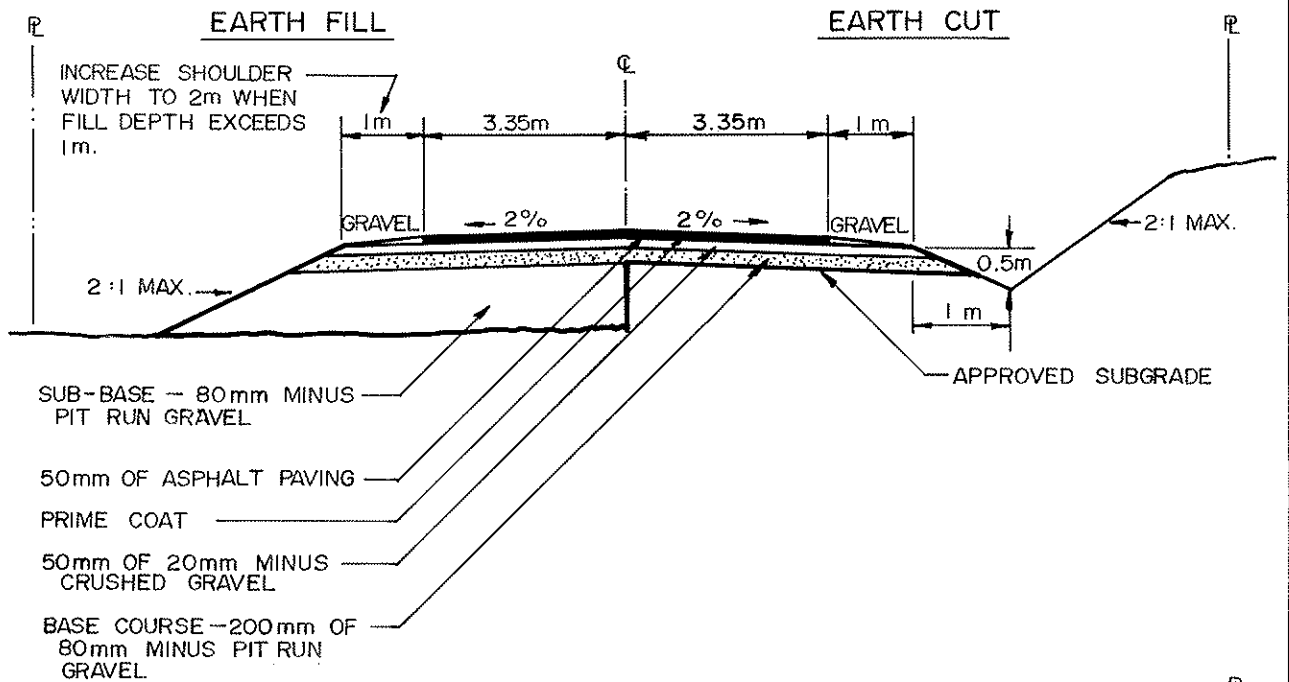
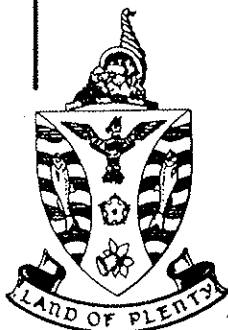


20m ROAD ALLOWANCE



NOTE : DEPTHS OF SURFACING AND BASE GRAVELS ARE MINIMUM AND IN SOME CASES WILL HAVE TO BE INCREASED TO PROVIDE A STABLE ROAD BED.



MUNICIPALITY OF CENTRAL SAANICH

TITLE: TYPICAL SECTION LOCAL RURAL ROAD		STD.DWG.No. 503
Approved;	Date; JUNE 1986	Scale; N.T.S.
		Rev.