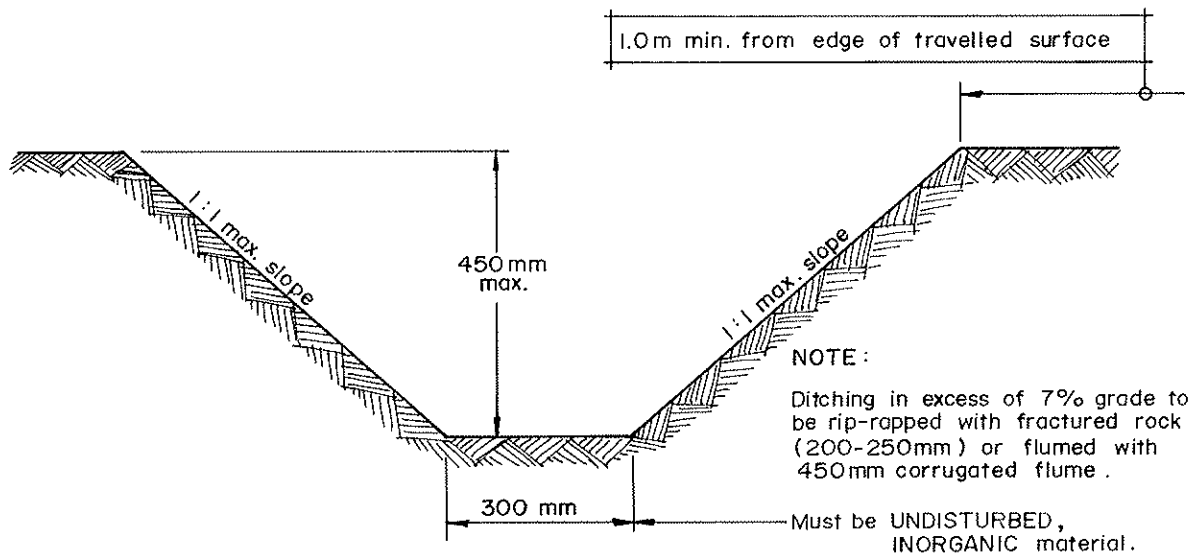


TEMPORARY ASPHALT WATER - CONTROL



TYPICAL DITCH X-SECTION

N.B. Where space and conditions permit, ditch sides to be graded 2:1 or better to facilitate grass cutting by owners of adjacent properties.



MUNICIPALITY OF CENTRAL SAANICH

TITLE:

ROADSIDE WATER CONTROL

STD.DWG.No.

510

Approved;

Date; JUNE 1986

Scale; N.T.S.

Rev.