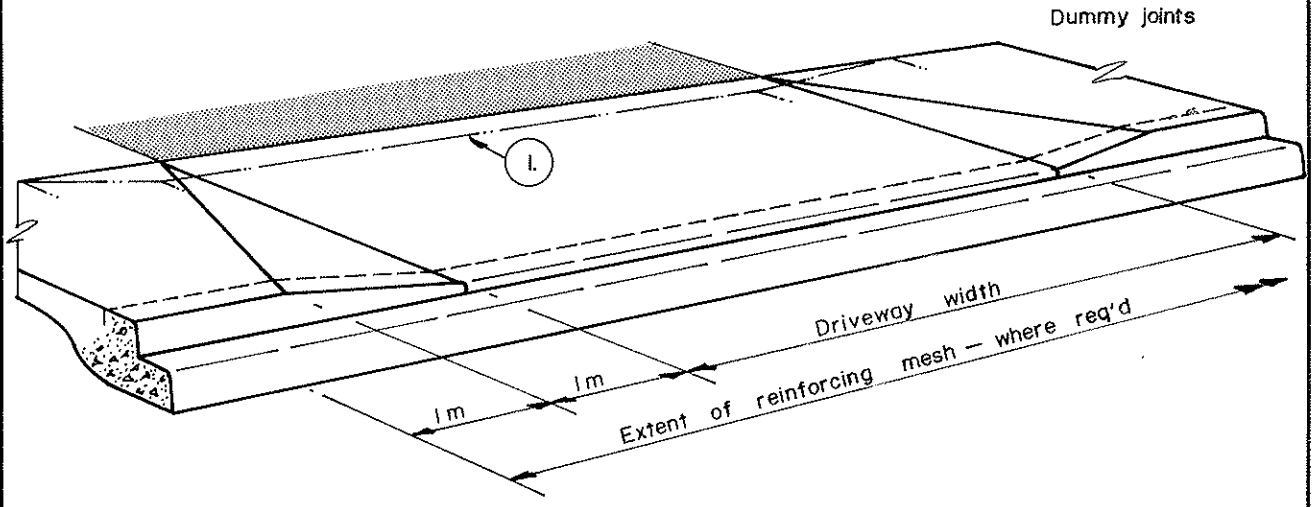


NOTES:

1. Where a driveway drops more than one in ten (1:10) from the back of the sidewalk, it shall be depressed for the full width. Sidefall to be 2% towards road.
2. Driveway grades to comply with standard drawing no.513 and widths no.512
3. Gutter profile to be in accordance with standard drawing no.508



MUNICIPALITY OF CENTRAL SAANICH

TITLE:		DRIVEWAY DROPS		STD.DWG.No.	511
Approved;	Date; JUNE 1986	Scale;	N.T.S.	Rev.	