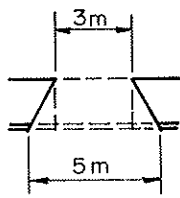
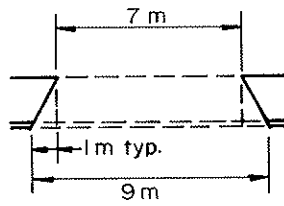


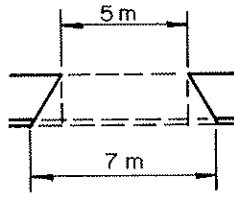
SIDEWALK CROSSINGS



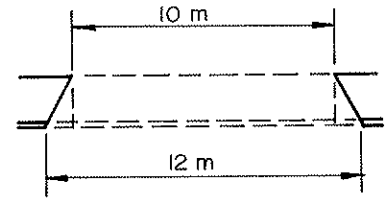
RESIDENTIAL
SINGLE



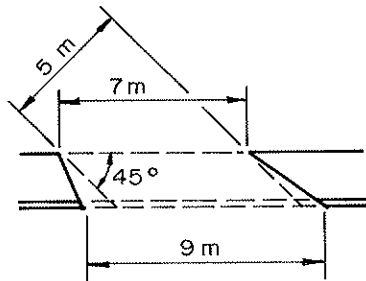
RESIDENTIAL
DOUBLE



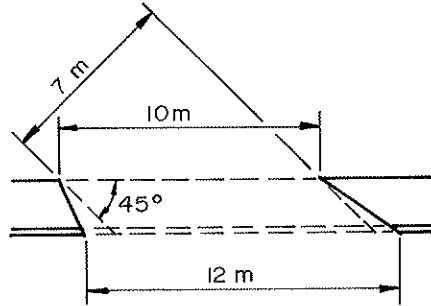
COMMERCIAL
SINGLE



COMMERCIAL
DOUBLE



DIRECTIONAL
SINGLE

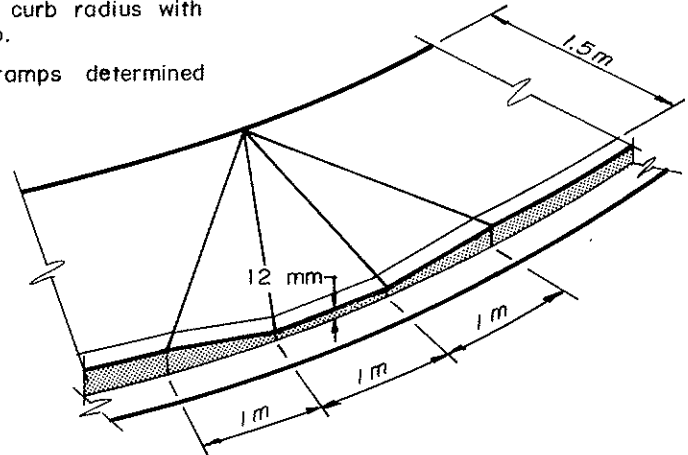


DIRECTIONAL
OVERSIZED
(ENTRANCE ONLY)

SIDEWALK CORNER RAMP

NOTES:

1. Ramp centered on crosswalk and on curb radius with 1 m segments measured along curb.
2. Width of raised section between ramps determined by crosswalk locations.



MUNICIPALITY OF CENTRAL SAANICH

TITLE:

**CURB DROPS &
SIDEWALK CROSSINGS**

STD.DWG.No.

512

Approved;

Date; JUNE 1986

Scale; N. T. S.

Rev.