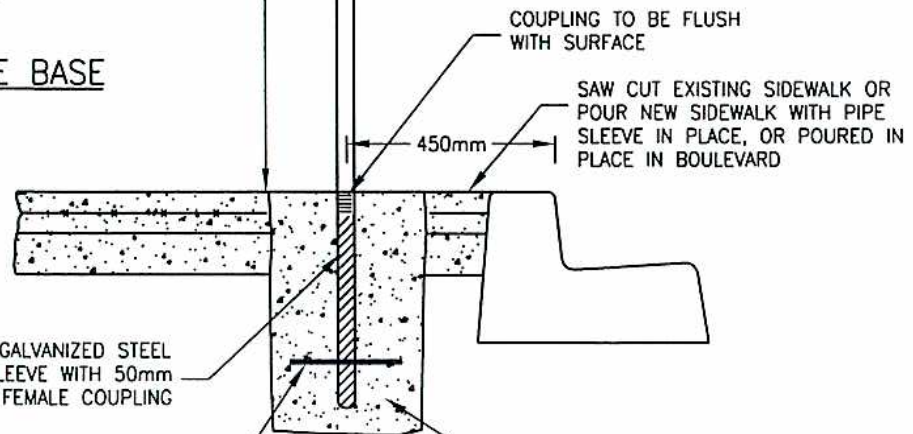


PRECAST CONCRETE BASE



2300mm
MIN.

3.0m x 50mm GALVANIZED STEEL SCH. 40
PIPE WITH 50mm THREADED END



SIGN DETAIL

500mm LONG GALVANIZED STEEL
SCH. 40 PIPE SLEEVE WITH 50mm
THREADED FEMALE COUPLING

200mm x 10mm REBAR
INSTALLED 200mm FROM
BOTTOM OF PIPE

EXCAVATE 150mm AROUND
AND 200mm MIN BELOW
PIPE. FILL WITH
CONCRETE. SEE DETAIL OF
PRECAST ALTERNATIVE.

COUPLING TO BE FLUSH
WITH SURFACE

SAW CUT EXISTING SIDEWALK OR
POUR NEW SIDEWALK WITH PIPE
SLEEVE IN PLACE, OR Poured IN
PLACE IN BOULEVARD



MUNICIPALITY OF CENTRAL SAANICH

TITLE:	Street Name Standard	STD.DWG.NO. WS.50.6
APPROVED:	DATE: April 2007	SCALE: N.T.S. REV.