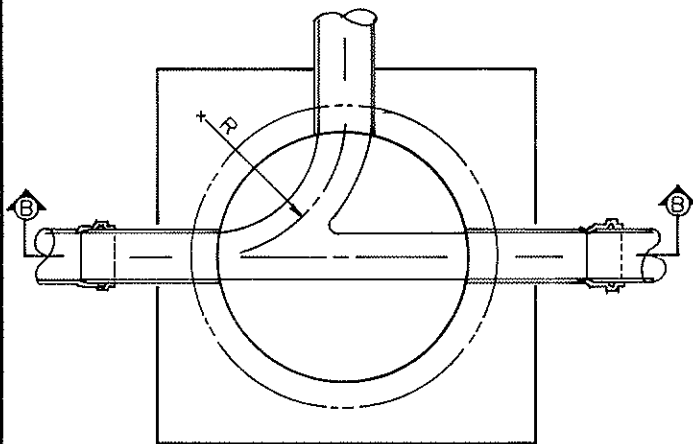


SECTION B-B

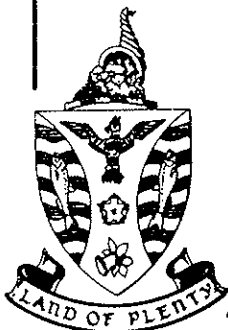


SECTION A-A

- Backfill with 75mm minus gravel and compact to requirements of spec.
- Concrete fillet - Ensure solid bond between frame and chamber.
- 500mm (20") Max. per W.C.B.
- 250mm max. rise of concrete spacer rings or approved alternate. Parge inside/outside with 3:1 mortar.
- 635mm
- 1050 mm
- 150 mm min.
- 150 mm min.
- 150 mm min.
- 1:25
- REINFORCING BARS (if required)
- 600mm max.
- Joints not to exceed 13mm gap. Seal joints with cement mortar.
- 19 mm galvanized iron rungs at 300 mm o.c.
- Outside surfaces of sewer manholes in impermeable material to be coated with approved asphaltic compound.
- Cement mortar over flexible sealing compound
- Waterstop - Elastomeric gasket seal

NOTES:

1. Use 8" std. M.H. cover and frame on road allowance. Use 4" cover and frame off road allowance or outside of finished curb and gutter sidewalk in road allowance.
2. Std. manhole to be used for pipe up to and including 400mm dia.
3. Channelling to be extended to top of pipe and finished to trowel smoothness.
4. Manhole to be constructed on compacted gravel or undisturbed subsoil.
5. Trim pipe ends flush with inner m.h. walls.
6. Manhole to be watertight.
7. All reinforcing to be sized and positioned by a P. Eng.
8. Pre-cast cone or lid and pipe sections to current A.S.T.M. C478.
9. R - Radius to be not less than 3 times the branch pipe diameter.



MUNICIPALITY OF CENTRAL SAANICH

TITLE: SEWER OR DRAIN MANHOLE		STD.DWG.No. 303
Approved;	Date; JULY 1986	Scale; N.T.S.
		Rev.